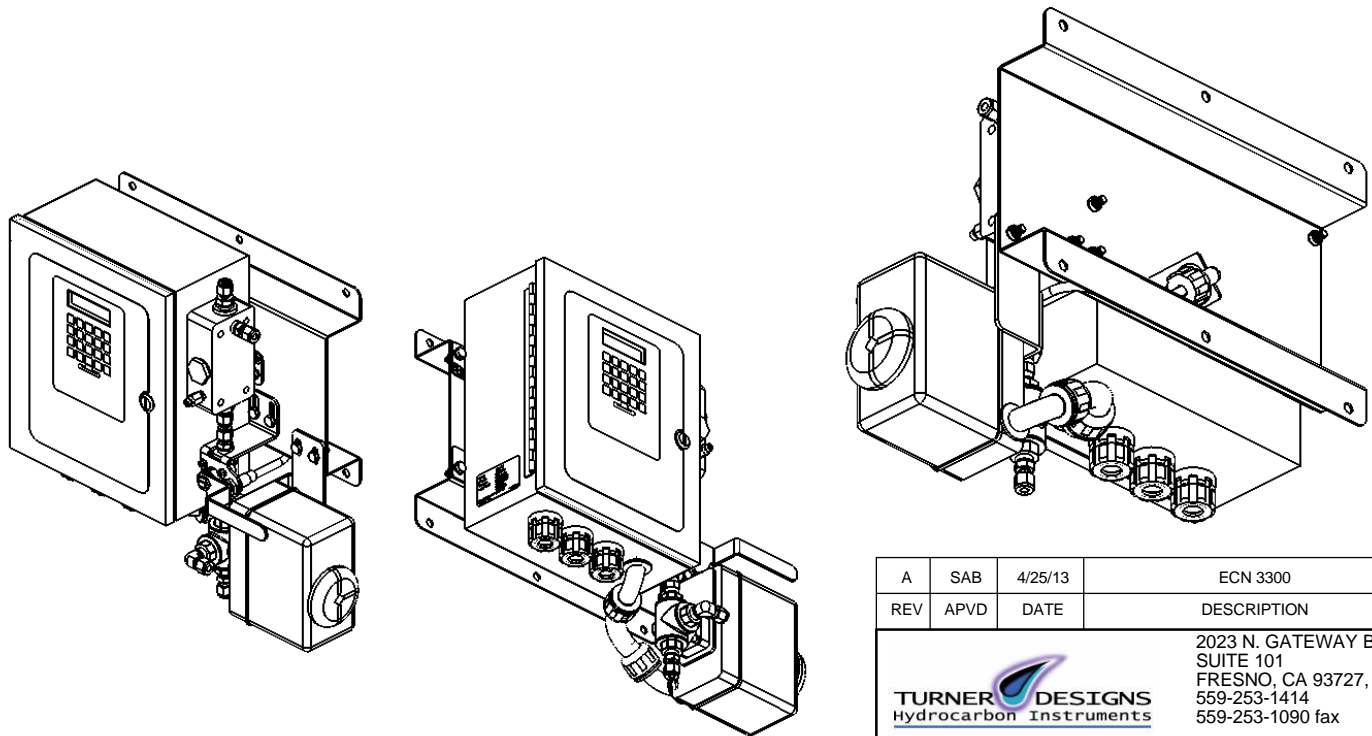
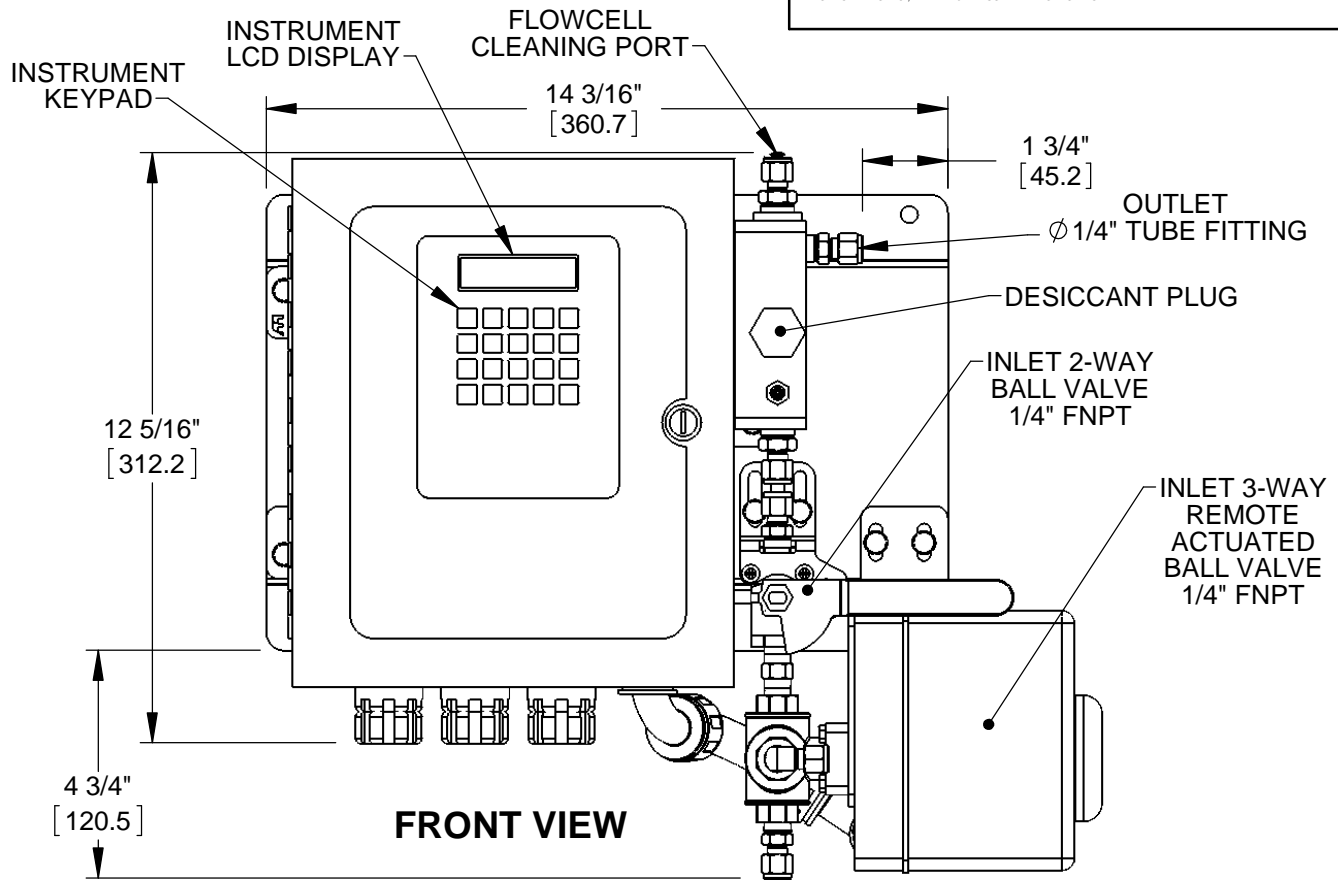


**NOTES:**

(1) ALL CONNECTION DIMENSION TOLERANCES ARE TO BE PLUS OR MINUS 1/4".

THIS DRAWING CONTAINS INFORMATION THAT IS CONFIDENTIAL AND PROPRIETARY PROPERTY OF TURNER DESIGNS HYDROCARBON INSTRUMENTS INC. AND ITS DESIGN, DETAIL AND INVENTION, ARE THE PROPERTY OF TURNER DESIGNS HYDROCARBON INSTRUMENTS, INC. SUBMITTED TO THE RECIPIENT IN CONFIDENCE AND SHALL NOT BE COPIED IN ANY MANNER NOR DISCLOSED TO ANY OUTSIDE PARTY WITHOUT THE EXPRESS WRITTEN CONSENT OF AN AUTHORIZED OFFICER OF THIS COMPANY. THEY SHALL BE USED EXCLUSIVELY FOR REFERENCE WORK ON CONTRACTS OR PROPOSALS SUBMITTED BY TURNER DESIGNS HYDROCARBON INSTRUMENTS INC. AND SHALL BE RETURNED ON REQUEST. THIS DRAWING MUST BE KEPT ONLY IN THE CONFIDENTIAL FILES OF TURNER DESIGNS HYDROCARBON INSTRUMENTS INC., WHEN NOT IN USE. ALL RIGHTS RESERVED.

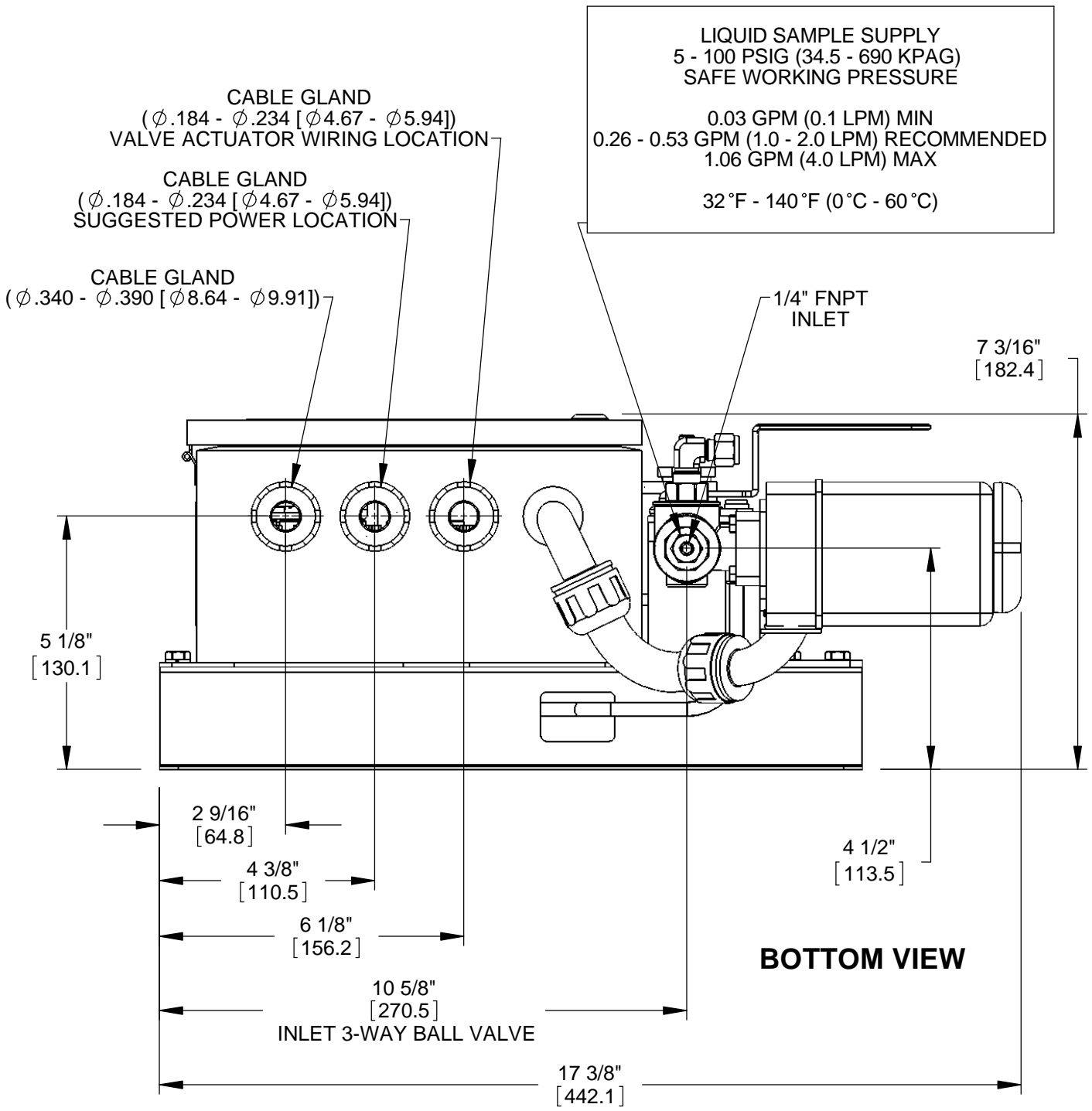


A	SAB	4/25/13	ECN 3300
REV	APVD	DATE	DESCRIPTION
			2023 N. GATEWAY BLVD SUITE 101 FRESNO, CA 93727, USA 559-253-1414 559-253-1090 fax
DESCRIPTION			
GENERAL ARRANGEMENT, TD107 <sup>5.0</sup> , SST, 3-WAY VALVE			
MATERIAL			
DRAWN BY		CHECKED BY	
DPK		CWR	
		DATE	SHEET
		2/1/2013	1 OF 6
SIZE	SCALE	DRAWING NUMBER	
A	NONE	NAG22541GA	

NOTES:

(1) ALL CONNECTION DIMENSION TOLERANCES ARE TO BE PLUS OR MINUS 1/4".

THIS DRAWING CONTAINS INFORMATION THAT IS CONFIDENTIAL AND PROPRIETARY PROPERTY OF TURNER DESIGNS HYDROCARBON INSTRUMENTS, INC. AND ITS DESIGN, DETAIL AND INVENTION, ARE THE PROPERTY OF TURNER DESIGNS HYDROCARBON INSTRUMENTS, INC. SUBMITTED TO THE RECIPIENT IN CONFIDENCE AND SHALL NOT BE COPIED IN ANY MANNER NOR DISCLOSED TO ANY OUTSIDE PARTY WITHOUT THE EXPRESS WRITTEN CONSENT OF AN AUTHORIZED OFFICER OF THIS COMPANY. THEY SHALL BE USED EXCLUSIVELY FOR REFERENCE WORK ON CONTRACTS OR PROPOSALS SUBMITTED BY TURNER DESIGNS HYDROCARBON INSTRUMENTS, INC. AND SHALL BE RETURNED ON REQUEST. THIS DRAWING MUST BE KEPT ONLY IN THE CONFIDENTIAL FILES OF TURNER DESIGNS HYDROCARBON INSTRUMENTS, INC., WHEN NOT IN USE. ALL RIGHTS RESERVED.



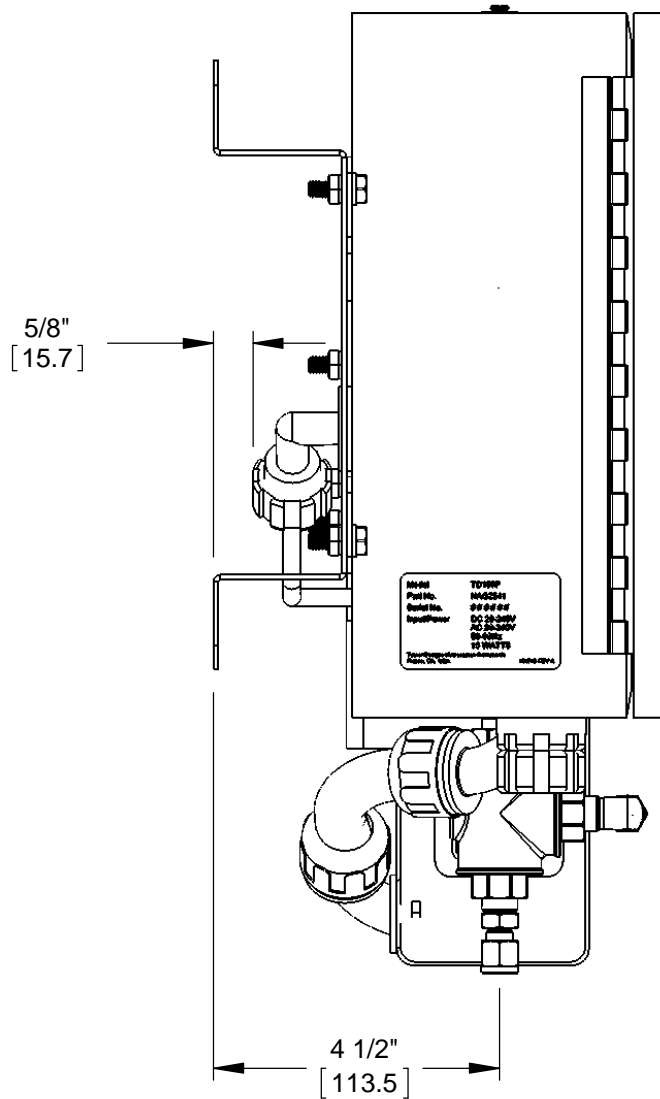
**BOTTOM VIEW**

A	SAB	4/25/13	ECN 3300	
REV	APVD	DATE	DESCRIPTION	
			2023 N. GATEWAY BLVD SUITE 101 FRESNO, CA 93727, USA 559-253-1414 559-253-1090 fax	
DESCRIPTION				
GENERAL ARRANGEMENT, TD107 <sup>5.0</sup> , SST, 3-WAY VALVE				
MATERIAL				
DRAWN BY		CHECKED BY		DATE
DPK		CWR		2/1/2013
SIZE		SCALE		DRAWING NUMBER
A		NONE		NAG22541GA
				SHEET
				2 OF 6

NOTES:

(1) ALL CONNECTION DIMENSION TOLERANCES ARE TO BE PLUS OR MINUS 1/4".

THIS DRAWING CONTAINS INFORMATION THAT IS CONFIDENTIAL AND PROPRIETARY PROPERTY OF TURNER DESIGNS HYDROCARBON INSTRUMENTS INC. AND ITS DESIGN, DETAIL AND INVENTION, ARE THE PROPERTY OF TURNER DESIGNS HYDROCARBON INSTRUMENTS, INC. SUBMITTED TO THE RECIPIENT IN CONFIDENCE AND SHALL NOT BE COPIED IN ANY MANNER NOR DISCLOSED TO ANY OUTSIDE PARTY WITHOUT THE EXPRESS WRITTEN CONSENT OF AN AUTHORIZED OFFICER OF THIS COMPANY. THEY SHALL BE USED EXCLUSIVELY FOR REFERENCE WORK ON CONTRACTS OR PROPOSALS SUBMITTED BY TURNER DESIGNS HYDROCARBON INSTRUMENTS INC. AND SHALL BE RETURNED ON REQUEST. THIS DRAWING MUST BE KEPT ONLY IN THE CONFIDENTIAL FILES OF TURNER DESIGNS HYDROCARBON INSTRUMENTS INC., WHEN NOT IN USE. ALL RIGHTS RESERVED.



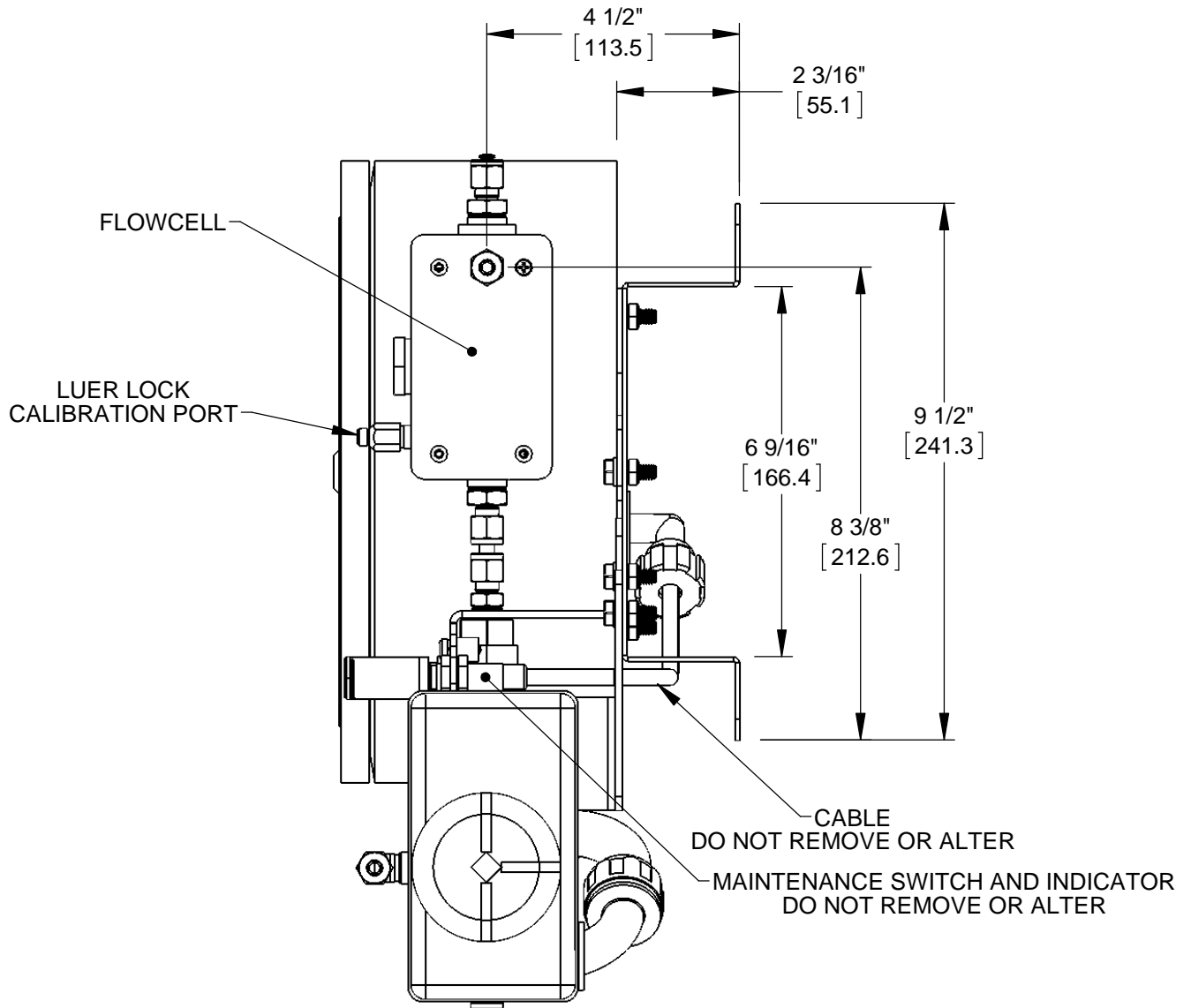
LEFT VIEW

A	SAB	4/25/13	ECN 3300	
REV	APVD	DATE	DESCRIPTION	
			2023 N. GATEWAY BLVD SUITE 101 FRESNO, CA 93727, USA 559-253-1414 559-253-1090 fax	
DESCRIPTION				
GENERAL ARRANGEMENT, TD107 5.0, SST, 3-WAY VALVE				
MATERIAL				
DRAWN BY		CHECKED BY		DATE
DPK		CWR		2/1/2013
SIZE		SCALE		DRAWING NUMBER
A		NONE		NAG22541GA
				SHEET 3 OF 6


NOTES:

(1) ALL CONNECTION DIMENSION TOLERANCES ARE TO BE PLUS OR MINUS 1/4".

THIS DRAWING CONTAINS INFORMATION THAT IS CONFIDENTIAL AND PROPRIETARY PROPERTY OF TURNER DESIGNS HYDROCARBON INSTRUMENTS INC. AND ITS DESIGN, DETAIL AND INVENTION, ARE THE PROPERTY OF TURNER DESIGNS HYDROCARBON INSTRUMENTS, INC. SUBMITTED TO THE RECIPIENT IN CONFIDENCE AND SHALL NOT BE COPIED IN ANY MANNER NOR DISCLOSED TO ANY OUTSIDE PARTY WITHOUT THE EXPRESS WRITTEN CONSENT OF AN AUTHORIZED OFFICER OF THIS COMPANY. THEY SHALL BE USED EXCLUSIVELY FOR REFERENCE WORK ON CONTRACTS OR PROPOSALS SUBMITTED BY TURNER DESIGNS HYDROCARBON INSTRUMENTS INC. AND SHALL BE RETURNED ON REQUEST. THIS DRAWING MUST BE KEPT ONLY IN THE CONFIDENTIAL FILES OF TURNER DESIGNS HYDROCARBON INSTRUMENTS INC., WHEN NOT IN USE. ALL RIGHTS RESERVED.



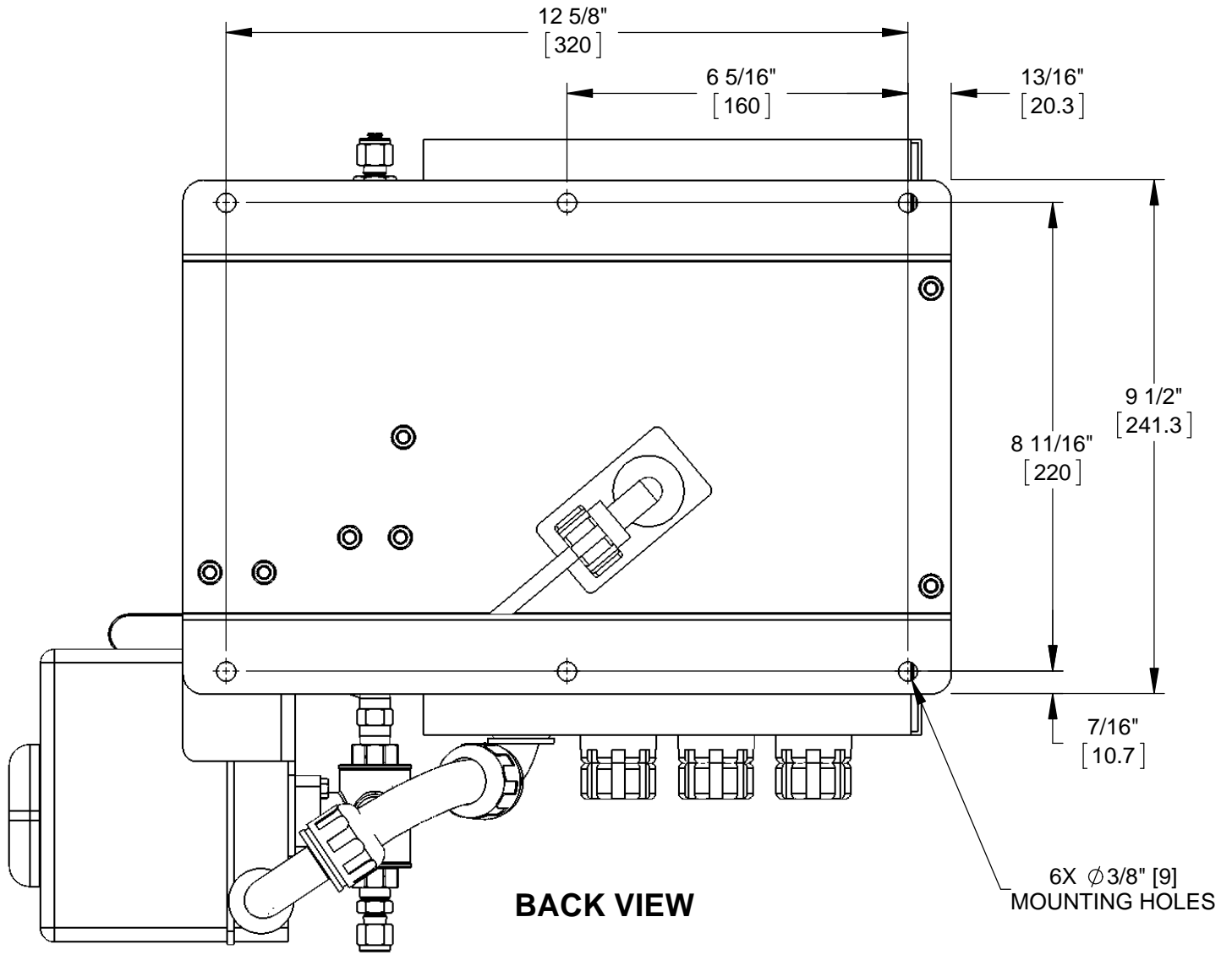
**RIGHT VIEW**

A	SAB	4/25/13	ECN 3300	
REV	APVD	DATE	DESCRIPTION	
			2023 N. GATEWAY BLVD SUITE 101 FRESNO, CA 93727, USA 559-253-1414 559-253-1090 fax	
DESCRIPTION				
GENERAL ARRANGEMENT, TD107 <sup>5.0</sup> , SST, 3-WAY VALVE				
MATERIAL				
DRAWN BY		CHECKED BY		DATE
DPK		CWR		2/1/2013
SIZE		SCALE		DRAWING NUMBER
A		NONE		NAG22541GA
				SHEET 4 OF 6

NOTES:

(1) ALL CONNECTION DIMENSION TOLERANCES ARE TO BE PLUS OR MINUS 1/4".

THIS DRAWING CONTAINS INFORMATION THAT IS CONFIDENTIAL AND PROPRIETARY PROPERTY OF TURNER DESIGNS HYDROCARBON INSTRUMENTS INC. AND ITS DESIGN, DETAIL AND INVENTION, ARE THE PROPERTY OF TURNER DESIGNS HYDROCARBON INSTRUMENTS, INC. SUBMITTED TO THE RECIPIENT IN CONFIDENCE AND SHALL NOT BE COPIED IN ANY MANNER NOR DISCLOSED TO ANY OUTSIDE PARTY WITHOUT THE EXPRESS WRITTEN CONSENT OF AN AUTHORIZED OFFICER OF THIS COMPANY. THEY SHALL BE USED EXCLUSIVELY FOR REFERENCE WORK ON CONTRACTS OR PROPOSALS SUBMITTED BY TURNER DESIGNS HYDROCARBON INSTRUMENTS INC. AND SHALL BE RETURNED ON REQUEST. THIS DRAWING MUST BE KEPT ONLY IN THE CONFIDENTIAL FILES OF TURNER DESIGNS HYDROCARBON INSTRUMENTS INC., WHEN NOT IN USE. ALL RIGHTS RESERVED.



A	SAB	4/25/13	ECN 3300	
REV	APVD	DATE	DESCRIPTION	
			2023 N. GATEWAY BLVD SUITE 101 FRESNO, CA 93727, USA 559-253-1414 559-253-1090 fax	
DESCRIPTION				
GENERAL ARRANGEMENT, TD107 <sup>5.0</sup> , SST, 3-WAY VALVE				
MATERIAL				
DRAWN BY		CHECKED BY		DATE
DPK		CWR		2/1/2013
SIZE		SCALE		DRAWING NUMBER
A		NONE		NAG22541GA
				SHEET 5 OF 6

THIS DRAWING CONTAINS INFORMATION THAT IS CONFIDENTIAL AND PROPRIETARY PROPERTY OF TURNER DESIGNS HYDROCARBON INSTRUMENTS, INC. AND ITS DESIGN, DETAIL AND INVENTION, ARE THE PROPERTY OF TURNER DESIGNS HYDROCARBON INSTRUMENTS, INC. SUBMITTED TO THE RECIPIENT IN CONFIDENCE AND SHALL NOT BE COPIED IN ANY MANNER NOR DISCLOSED TO ANY OUTSIDE PARTY WITHOUT THE EXPRESS WRITTEN CONSENT OF AN AUTHORIZED OFFICER OF THIS COMPANY. THEY SHALL BE USED EXCLUSIVELY FOR REFERENCE WORK ON CONTRACTS OR PROPOSALS SUBMITTED BY TURNER DESIGNS HYDROCARBON INSTRUMENTS INC. AND SHALL BE RETURNED ON REQUEST. THIS DRAWING MUST BE KEPT ONLY IN THE CONFIDENTIAL FILES OF TURNER DESIGNS HYDROCARBON INSTRUMENTS INC., WHEN NOT IN USE. ALL RIGHTS RESERVED.

### INTERNAL WIRING SCHEDULE

TB1	- BILGE/SEPARATOR
TB2	+ BILGE/SEPARATOR INPUT: 3-28VDC, 100uA / OR CONTACT CLOSURE
TB3	- SAMPLE/FLOW
TB4	+ SAMPLE/FLOW INPUT: 3-28VDC, 100uA / OR CONTACT CLOSURE
TB5	CELL ALARM RELAY A: COM
TB6	CELL ALARM RELAY A: NO
TB7	CELL ALARM RELAY A: NC
TB8	ZERO ALARM RELAY A: COM
TB9	ZERO ALARM RELAY A: NO
TB10	ZERO ALARM RELAY A: NC
TB11	SYSTEM ALARM RELAY A: COM
TB12	SYSTEM ALARM RELAY A: NO
TB13	SYSTEM ALARM RELAY A: NC
TB14	HIGH ALARM RELAY A: COM
TB15	HIGH ALARM RELAY A: NO
TB16	HIGH ALARM RELAY A: NC
TB17	EARLY ALARM RELAY A: COM
TB18	EARLY ALARM RELAY A: NO
TB19	EARLY ALARM RELAY A: NC
J5/4	POWER INPUT, 20-240 VAC OR VDC, 15 WATTS, 50/60 Hz, <b>DC+</b>
J5/5	POWER INPUT, 20-240 VAC OR VDC, 15 WATTS, <b>DC-</b>
J5/6	POWER INPUT: (AC GROUND)
J9/I	+ ACTIVE ISOLATED: 4-20mA, MAX LOAD 500 OHMS, INTERNALLY POWERED*
J9/J	- ACTIVE ISOLATED: 4-20mA, MAX LOAD 500 OHMS, INTERNALLY POWERED*
J9/F	GND
J9/G	MAINTENANCE ALARM
J9/H	MAINTENANCE ALARM RETURN

A	SAB	4/25/13	ECN 3300	
REV	APVD	DATE	DESCRIPTION	
			2023 N. GATEWAY BLVD SUITE 101 FRESNO, CA 93727, USA 559-253-1414 559-253-1090 fax	
			DESCRIPTION	
GENERAL ARRANGEMENT, TD107 <sup>5.0</sup> , SST, 3-WAY VALVE				
MATERIAL				
DRAWN BY		CHECKED BY		DATE
DPK		CWR		2/1/2013
SIZE		SCALE		DRAWING NUMBER
A		NONE		NAG22541GA
				SHEET
				6 OF 6